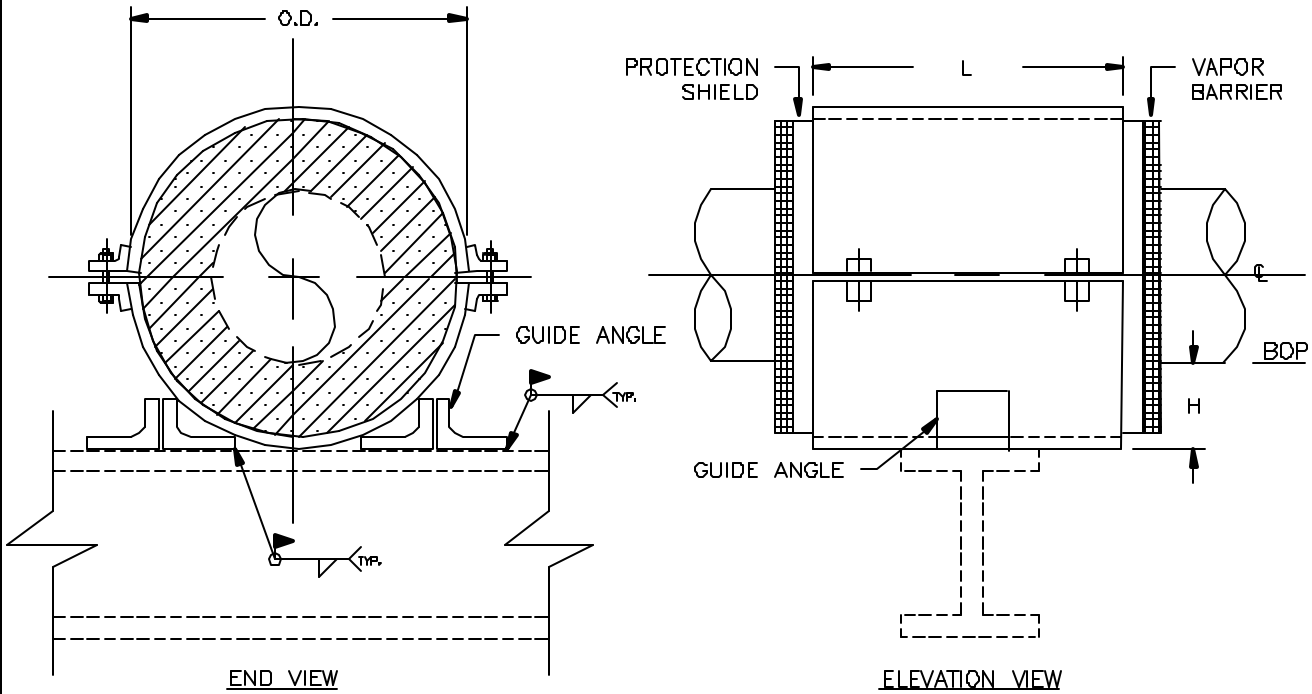


SPECIFICATIONS

INSULATION THK: _____
 SHOE LENGTH: _____
 LOADS: VERTICAL _____
 LATERAL _____
 AXIAL _____
 TEMPERATURE _____



Design, PT&P 6/2/1999 1:43 PM HS-4001

NOTES

FIGURE#: HS-4001
 DESCRIPTION: GUIDED SHOES, WITHOUT BASE

FUNCTION:	USE TO SUPPORT VERTICAL LOADS WHILE PREVENTING LATERAL MOVEMENT. - - - -
PIPE SIZE:	1/2" TO 42" NPS
MATERIAL:	GALVANIZED OR HDG CARBON STEEL
INSULATION:	HIGH DENSITY CALCIUM SILICATE -
TEMP RANGE:	AMBIENT TO 1200°F
LAYERING SY:	SEE LAYERING CHARTS
SHOE LTH.(L):	STANDARD SHOE AVAILABLE IN 12" & 18" LENGTHS
TO ORDER:	SPECIFY PIPE SIZE, INSULATION THK., LENGTH HENCE: (HS-4001)-NPS-THK.-L
LOADS:	ALL LOADS ON ADJACENT CHART HAVE A SAFETY FACTOR OF 5

CLIENT NAME: _____
 PROJECT NAME: _____
 REQUISITION# _____
 P.O.#: _____
 DWG#: _____
 MARK#: _____
 PT&P JOB#: _____ ITEM#: _____
 DATE: _____

PIPING TECHNOLOGY & PRODUCTS, INC.

P.O. BOX 34506 HOUSTON TEXAS 77234
 3701 HOLMES RD HOUSTON TEXAS 77051
 TELE#:(713)731-0030 FAX#:(713)731-8640
<http://www.pipingtech.com/> E-MAIL: info@pipingtech.com





Small Diameter Clamped Shoes fabricated to be assembled into Pre-insulated Supports

Pipe size	Vertical Load(lbs)	Vertical Load(lbs)	Insulation Thickness															
			1"		1-1/2"		2"		2-1/2"		3"		3-1/2"		4"			
			O.D.	H	O.D.	H	O.D.	H	O.D.	H	O.D.	H	O.D.	H	O.D.	H		
1/2"	70	139	2"	4"	4-1/4"	4"	5-1/4"	4"	6-7/8"	4"	7-7/8"	6"	8-7/8"	6"	9-7/8"	6"		
3/4"	87	174	2"	4"	4-1/4"	4"	5-1/4"	4"	6-7/8"	4"	7-7/8"	6"	8-7/8"	6"	9-7/8"	6"		
1"	109	218	2-1/2"	4"	4-3/4"	4"	5-13/16"	4"	6-7/8"	4"	7-7/8"	6"	8-7/8"	6"	9-7/8"	6"		
1-1/4"	138	275	2-1/2"	4"	5-1/4"	4"	5-13/16"	4"	6-7/8"	4"	7-7/8"	6"	8-7/8"	6"	9-7/8"	6"		
1-1/2"	158	315	2-13/16"	4"	5-1/4"	4"	6-7/8"	4"	7-7/8"	4"	8-7/8"	6"	9-7/8"	6"	11"	6"		
2"	197	394	3-3/16"	4"	6-1/16"	4"	7-1/4"	4"	8-1/8"	4"	9-1/8"	6"	10-1/8"	6"	11-1/4"	6"		
2-1/2"	238	477	3-1/2"	4"	7-1/8"	4"	8-1/8"	4"	9-1/8"	4"	10-1/8"	6"	11-1/4"	6"	12-1/4"	6"		
3"	290	580	3-15/16"	4"	7-1/8"	4"	8-1/8"	4"	9-1/8"	4"	10-1/8"	6"	11-1/4"	6"	12-1/4"	6"		
3-1/2"	332	663	4-11/16"	4"	8-1/8"	4"	9-1/8"	4"	10-1/8"	4"	11-1/4"	6"	12-1/4"	6"	13-1/4"	6"		
4"	373	746	4-11/16"	4"	8-1/8"	4"	9-1/8"	4"	10-1/8"	4"	11-1/4"	6"	12-1/4"	6"	13-1/4"	6"		
5"	461	922	5-3/8"	4"	9-1/8"	4"	10-1/8"	4"	11-1/4"	4"	12-1/4"	6"	13-1/4"	6"	14-1/2"	6"		
6"	549	1098	6-1/8"	4"	10-3/8"	4"	11-1/2"	4"	12-1/2"	4"	13-1/2"	6"	14-3/4"	6"	15-3/4"	6"		

Pipe size	Vertical Load(lbs)	Vertical Load(lbs)	Insulation Thickness															
			1"		1-1/2"		2"		2-1/2"		3"		3-1/2"		4"			
			O.D.	H	O.D.	H	O.D.	H	O.D.	H	O.D.	H	O.D.	H	O.D.	H		
8"	715	1430	11-1/2"	4"	12-1/2"	4"	13-1/2"	4"	14-3/4"	4"	15-3/4"	6"	16-3/4"	6"	17-3/4"	6"		
10"	1782	2673	13-1/2"	4"	14-3/4"	4"	15-3/4"	4"	16-3/4"	4"	17-3/4"	6"	18-3/4"	6"	19-3/4"	6"		
12"	2114	3171	13-15/16"	4"	16-3/4"	4"	17-3/4"	4"	18-3/4"	4"	19-3/4"	6"	20-3/4"	6"	21-3/4"	6"		
14"	2321	3482	17"	4"	18"	4"	19"	4"	20"	4"	21"	6"	22"	6"	23"	6"		
16"	2653	3979	19"	4"	20"	4"	21"	4"	22"	6"	23"	6"	24"	6"	25"	6"		
18"	2984	4476	21"	4"	22"	4"	23"	4"	24"	6"	25"	6"	26"	6"	27"	6"		
20"	3316	4974	23"	4"	24"	4"	25"	4"	26"	6"	27"	6"	28"	6"	29"	6"		
24"	5969	7958	27"	4"	28"	4"	29"	4"	30"	6"	31"	6"	32"	6"	33"	6"		
26"	6466	8621	29-1/2"	4"	30-1/2"	4"	31-1/2"	4"	32-1/2"	6"	33-1/2"	6"	34-1/2"	6"	35-1/2"	6"		
28"	6963	9284	31-1/2"	4"	32-1/2"	4"	33-1/2"	4"	34-1/2"	6"	35-1/2"	6"	36-1/2"	6"	37-1/2"	6"		
30"	7461	9948	33-1/2"	4"	34-1/2"	4"	35-1/2"	4"	36-1/2"	6"	37-1/2"	6"	38-1/2"	6"	39-1/2"	6"		
32"	7958	10611	35-1/2"	4"	36-1/2"	4"	37-1/2"	4"	38-1/2"	6"	39-1/2"	6"	40-1/2"	6"	41-1/2"	6"		
34"	8455	11274	37-1/2"	4"	38-1/2"	4"	39-1/2"	4"	40-1/2"	6"	41-1/2"	6"	42-1/2"	6"	43-1/2"	6"		
36"	8953	11937	39-1/2"	4"	40-1/2"	4"	41-1/2"	4"	42-1/2"	6"	43-1/2"	6"	44-1/2"	6"	45-1/2"	6"		
40"	9948	13263	43-1/2"	4"	44-1/2"	4"	45-1/2"	4"	46-1/2"	6"	47-1/2"	6"	48-1/2"	6"	49-1/2"	6"		
42"	10445	13927	45-1/2"	4"	46-1/2"	4"	47-1/2"	4"	48-1/2"	6"	49-1/2"	6"	50-1/2"	6"	51-1/2"	6"		