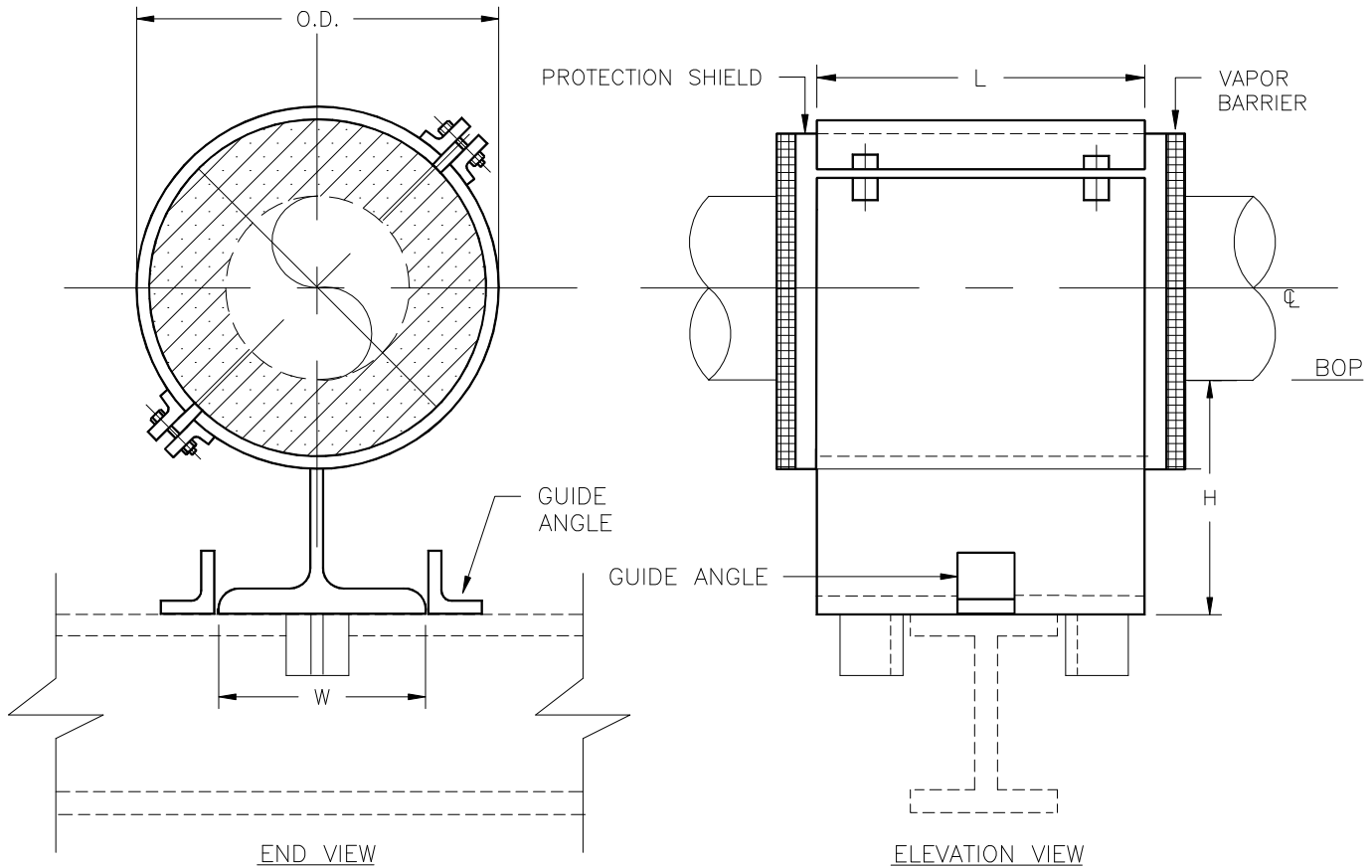


SPECIFICATIONS

INSULATION THK: _____
 SHOE LENGTH: _____
 LOADS: VERTICAL _____
 LATERAL _____
 AXIAL _____
 TEMPERATURE: _____



Design, PT&P 6/2/1999 11:09 AM HS-2011

NOTES

FIGURE#: HS-2011
 DESCRIPTION: ANCHOR TYPE SHOE, SPLIT-T BASE, STOPS AND GUIDES

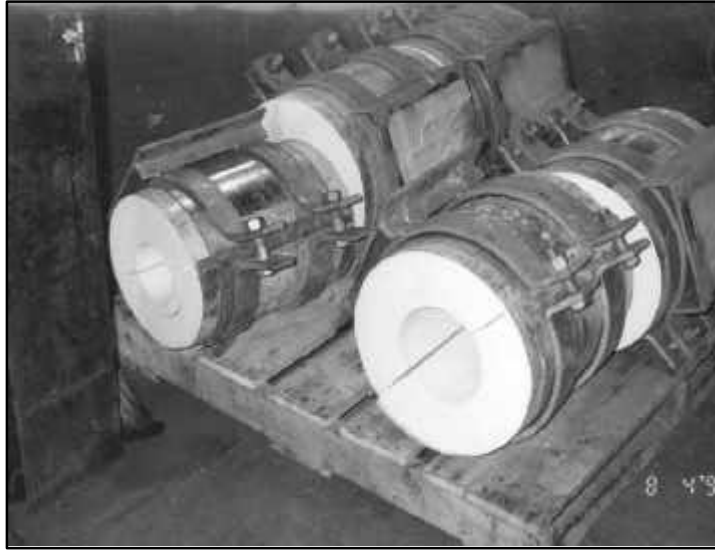
FUNCTION:	USE TO SUPPORT VERTICAL LOADS WHILE LIMITING AXIAL & LATERAL MOVEMENT WITH THE USE OF GUIDES AND STOPS. MOVEMENT OF PIPE INSIDE THE HOTSHOE LIMITED BY CLAMPING FORCE. - -
PIPE SIZE:	1/2" TO 6" NPS.
MATERIAL:	GALVANIZED OR HDG CARBON STEEL
INSULATION:	HIGH DENSITY CALCIUM SILICATE -
TEMP. RANGE:	AMBIENT TO 1200°F
LAYERING SY.:	SEE LAYERING CHARTS
SHOE LTH.(L):	STANDARD SHOE AVAILABLE IN 12" & 18" LENGTHS
TO ORDER:	SPECIFY PIPE SIZE, INSULATION THK., LENGTH HENCE: (HS-2011)-NPS-THK.-L
LOADS:	ALL LOADS ON ADJACENT CHART HAVE A SAFETY FACTOR OF 5

CLIENT NAME: _____
 PROJECT NAME: _____
 REQUISITION#: _____
 P.O.#: _____
 DWG#: _____
 MARK#: _____
 PT&P JOB#: _____ ITEM#: _____
 DATE: _____

PIPING TECHNOLOGY & PRODUCTS, INC.

P.O. BOX 34506 HOUSTON TEXAS 77234
 3701 HOLMES RD. HOUSTON TEXAS 77051
 TELE#:(713)731-0030 FAX#:(713)731-8640
<http://www.pipingtech.com/> E-MAIL: info@pipingtech.com





Clamped Hotshoes on Pallets ready for shipment

Pipe size	Vertical Load(lbs)	Vertical Load(lbs)	Insulation Thickness															
			1"			1-1/2"			2"			2-1/2"						
			W	Axial load (lbs.)	O.D.	H	W	Axial load (lbs.)	O.D.	H	W	Axial load (lbs.)	O.D.	H	W	Axial load (lbs.)	O.D.	H
L=12"	L=18"																	
1/2"	418	627	3"	324	3-1/8"	4"	4"	628	4-1/4"	4"	4"	981	5-1/4"	4"	4"	1723	6-7/8"	4"
3/4"	522	783	3"	324	3-1/8"	4"	4"	628	4-1/4"	4"	4"	981	5-1/4"	4"	4"	1723	6-7/8"	4"
1"	654	981	4"	480	3-3/4"	4"	4"	795	4-3/4"	4"	4"	1215	5-13/16"	4"	4"	1723	6-7/8"	4"
1-1/4"	826	1238	4"	480	3-3/4"	4"	5"	981	5-1/4"	4"	4"	1215	5-13/16"	4"	4"	1723	6-7/8"	4"
1-1/2"	945	1418	4"	628	4-1/4"	4"	4"	981	5-1/4"	4"	4"	1723	6-7/8"	4"	4"	2282	7-7/8"	4"
2"	1181	1772	4"	794	5"	4"	4"	1215	6-1/16"	4"	4"	1723	7-1/4"	4"	4"	2282	8-1/8"	4"
2-1/2"	1430	2145	4"	981	5-1/2"	4"	4"	1723	7-1/8"	4"	4"	2282	8-1/8"	4"	4"	2920	9-1/8"	4"
3"	1741	2611	4"	1215	6-1/16"	4"	4"	1723	7-1/8"	4"	4"	2282	8-1/8"	4"	4"	2920	9-1/8"	4"
3-1/2"	1990	2984	4"	1723	7-1/8"	4"	4"	2282	8-1/8"	4"	4"	2920	9-1/8"	4"	4"	3636	10-1/8"	4"
4"	2238	3357	4"	1723	7-1/8"	4"	4"	2282	8-1/8"	4"	4"	2920	9-1/8"	4"	4"	3636	10-1/8"	4"
5"	2767	4150	4"	2282	8-1/8"	4"	4"	2920	9-1/8"	4"	4"	3636	10-1/8"	4"	4"	4536	11-1/4"	4"
6"	3295	4943	4"	2920	9-15/16"	4"	4"	3636	10-3/8"	4"	4"	4536	11-1/2"	4"	4"	5419	12-1/2"	4"

Pipe size	Vertical Load(lbs)	Vertical Load(lbs)	Insulation Thickness															
			3"			3-1/2"			4"									
			W	Axial load (lbs.)	O.D.	H	W	Axial load (lbs.)	O.D.	H	W	Axial load (lbs.)	O.D.	H				
L=12"	L=18"																	
1/2"	418	627	4"	2282	7-7/8"	6"	4"	2920	8-7/8"	6"	4"	3636	9-7/8"	6"				
3/4"	522	783	4"	2282	7-7/8"	6"	4"	2920	8-7/8"	6"	4"	3636	9-7/8"	6"				
1"	654	981	4"	2282	7-7/8"	6"	4"	2920	8-7/8"	6"	4"	3636	9-7/8"	6"				
1-1/4"	826	1238	4"	2282	7-7/8"	6"	4"	2920	8-7/8"	6"	4"	3636	9-7/8"	6"				
1-1/2"	945	1418	4"	2919	8-7/8"	6"	4"	3636	9-7/8"	6"	4"	4536	11"	6"				
2"	1181	1772	4"	2919	9-1/8"	6"	4"	3636	10-1/8"	6"	4"	4536	11-1/4"	6"				
2-1/2"	1430	2145	4"	3636	10-1/8"	6"	4"	4536	11-1/4"	6"	4"	5419	12-1/4"	6"				
3"	1741	2611	4"	3640	10-1/8"	6"	4"	4536	11-1/4"	6"	4"	5419	12-1/4"	6"				
3-1/2"	1990	2984	4"	4536	11-1/4"	6"	4"	5419	12-1/4"	6"	4"	6381	13-1/4"	6"				
4"	2238	3357	4"	4536	11-1/4"	6"	4"	5419	12-1/4"	6"	4"	6381	13-1/4"	6"				
5"	2767	4150	4"	5419	12-1/4"	6"	4"	6381	13-1/4"	6"	4"	7693	14-1/2"	6"				
6"	3295	4943	4"	6381	13-1/2"	6"	4"	7693	14-3/4"	6"	4"	8831	15-3/4"	6"				