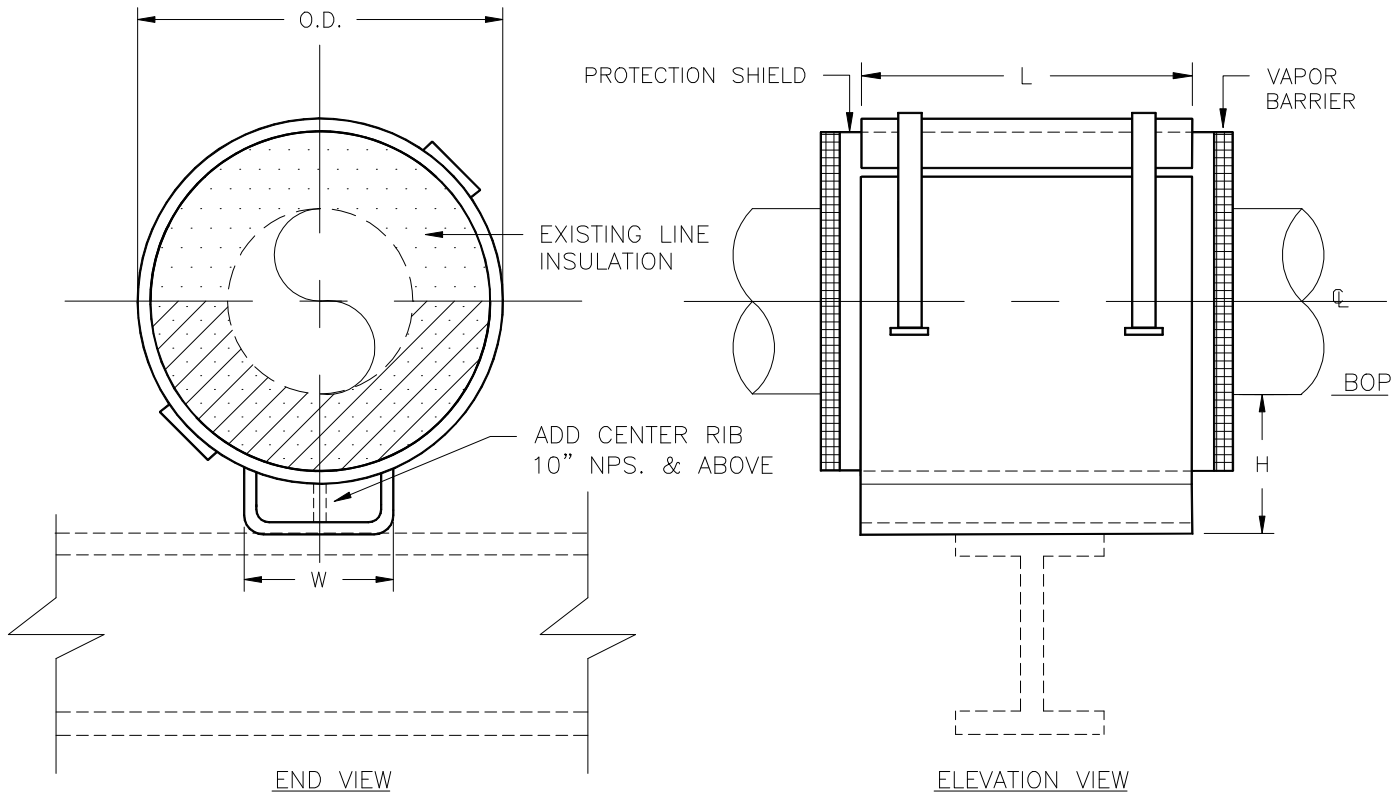


SPECIFICATIONS

INSULATION THK: _____
 SHOE LENGTH: _____
 LOADS: VERTICAL _____
 LATERAL _____
 AXIAL _____
 TEMPERATURE: _____



Design, PT&P 6/2/1999 10:38 AM HS-1020

NOTES

FUNCTION:	USE TO SUPPORT VERTICAL LOADS. - - - - -
PIPE SIZE:	8" TO 20" NPS.
MATERIAL:	GALVANIZED OR HDG CARBON STEEL
INSULATION:	HIGH DENSITY CALCIUM SILICATE -
TEMP. RANGE:	AMBIENT TO 1200°F
LAYERING SY.:	SEE LAYERING CHARTS
SHOE LTH,(L):	STANDARD SHOE AVAILABLE IN 12" & 18" LENGTHS
TO ORDER:	SPECIFY PIPE SIZE, INSULATION THK., LENGTH HENCE: (HS-1020)-NPS-THK.-L
LOADS:	ALL LOADS ON ADJACENT CHART HAVE A SAFETY FACTOR OF 5

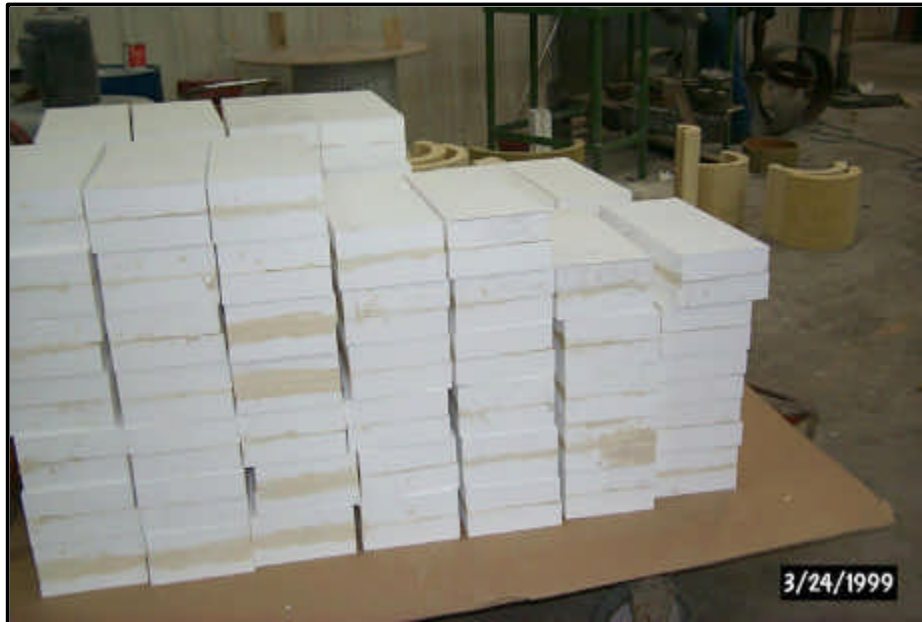
FIGURE#: HS-1020
 DESCRIPTION: RESTING SHOE, U-TYPE BASE,
 180° INS., WITH BANDSTRAPS

CLIENT NAME: _____
 PROJECT NAME: _____
 REQUISITION#: _____
 P.O.#: _____
 DWG#: _____
 MARK#: _____
 PT&P JOB#: _____ ITEM#: _____
 DATE: _____

PIPING TECHNOLOGY & PRODUCTS, INC.

P.O. BOX 34506 HOUSTON TEXAS 77234
 3701 HOLMES RD. HOUSTON TEXAS 77051
 TELE#:(713)731-0030 FAX#:(713)731-8640
<http://www.pipingtech.com/> E-MAIL: info@pipingtech.com





High Density Calcium Silicate Material in Blocks ready for shipping

Pipe size	L=12" Vertical Load(lbs)	L=18" Vertical Load(lbs)	Insulation Thickness								
			1"			1-1/2"			2"		
			W	O.D.	H	W	O.D.	H	W	O.D.	H
8"	715	1430	6-1/2"	11-1/2"	4"	7"	12-1/2"	4"	7-1/2"	13-1/2"	4"
10"	1782 1/4	2673 2/5	7-1/2"	13-1/2"	4"	8-1/8"	14-3/4"	4"	8-5/8"	15-3/4"	4"
12"	2113 6/7	3170 7/9	8-1/2"	14-3/4"	4"	9-1/8"	16-3/4"	4"	9-5/8"	17-3/4"	4"
14"	2321	3481 5/8	9-1/2"	17"	4"	10"	18"	4"	10-1/2"	19"	4"
16"	2652 2/3	3979	10-1/2"	19"	4"	11"	20"	4"	11-1/2"	21"	4"
18"	2984 1/4	4476 3/8	11-1/2"	21"	4"	12"	22"	4"	12-1/2"	23"	4"
20"	3315 5/6	4973 3/4	12-1/2"	23"	4"	13"	24"	4"	13-1/2"	25"	4"

Pipe size	L=12" Vertical Load(lbs)	L=18" Vertical Load(lbs)	Insulation Thickness											
			2-1/2"			3"			3-1/2"			4"		
			W	O.D.	H	W	O.D.	H	W	O.D.	H	W	O.D.	H
8"	715	1430	8-1/8"	14-3/4"	4"	8-5/8"	15-3/4"	6"	9-1/8"	16-3/4"	6"	9-5/8"	17-3/4"	6"
10"	1782 1/4	2673 2/5	9-1/8"	16-3/4"	4"	9-5/8"	17-3/4"	6"	10-1/8"	18-3/4"	6"	10-5/8"	19-3/4"	6"
12"	2113 6/7	3170 7/9	10-1/8"	18-3/4"	4"	10-5/8"	19-3/4"	6"	11-1/8"	20-3/4"	6"	11-5/8"	21-3/4"	6"
14"	2321	3481 5/8	11"	20"	4"	11-1/2"	21"	6"	12"	22"	6"	12-1/2"	23"	6"
16"	2652 2/3	3979	12"	22"	6"	12-1/2"	23"	6"	13"	24"	6"	13-1/2"	25"	6"
18"	2984 1/4	4476 3/8	13"	24"	6"	13-1/2"	25"	6"	14"	26"	6"	14-1/2"	27"	6"
20"	3315 5/6	4973 3/4	14"	26"	6"	14-1/2"	27"	6"	15"	28"	6"	15-1/2"	29"	6"