



PTP HD-3

HOLD DOWN (ARRESTOR TYPE)

www.pipingtech.com/ptp-hd3

MATERIAL: Carbon steel

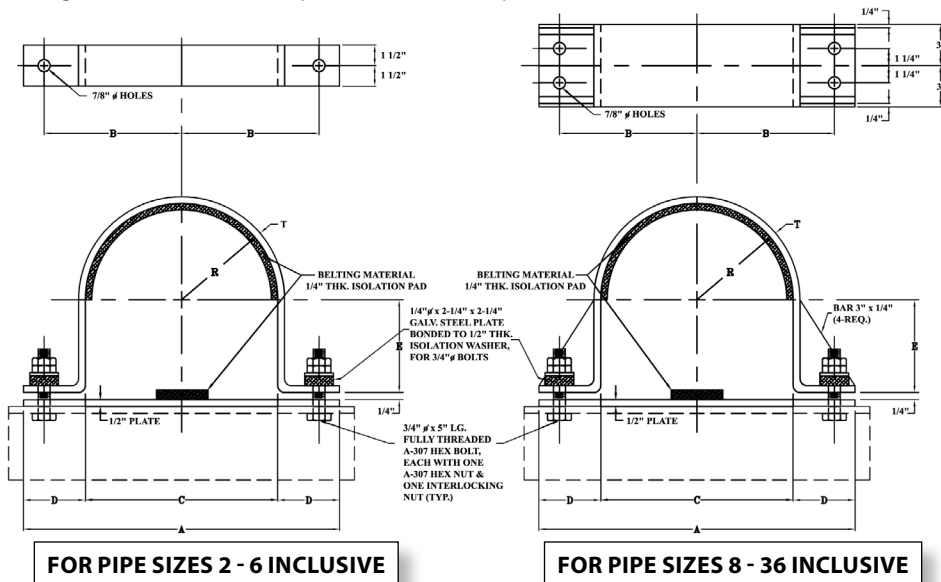
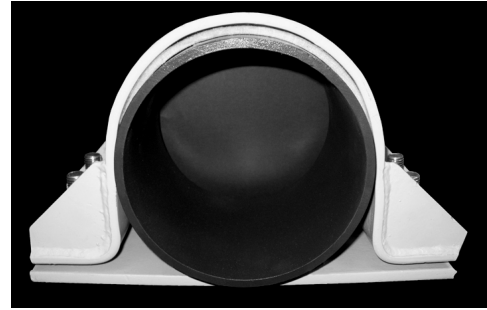
FINISH: Galvanized.

TEMP.: 200 °F

APPLICATION: Fig. PTP HD-3 is an arrestor type hold down. This hold down is actually a restraint that is used when there is very low thermal movement. Its radius is lined with a belting material that is well designed to absorb shock from vibration. This type is generally used on compressor lines or similar application.

ORDERING: Specify figure number, pipe size and description.

NOTE: Belting material remains impervious to heat up to 200 °F.



FOR PIPE SIZES 2 - 6 INCLUSIVE

FOR PIPE SIZES 8 - 36 INCLUSIVE

PIPE SIZE	A	B	C	D	E	R	T
2	9 7/8	3 7/16	2 7/8	3 1/2	1 3/16	1 7/16	1/4
3	11	4	4	3 1/2	1 3/4	2	3/8
4	12	4 1/2	5	3 1/2	2 1/4	2 1/2	3/8
6	14 1/8	5 9/16	7 1/8	3 1/2	3 5/16	3 9/16	3/8
8	16 1/2	6 3/4	9 1/8	3 11/16	4 5/16	4 9/16	3/8
10	19 1/2	8 1/4	11 1/4	4 1/8	5 3/8	5 5/8	3/8
12	21 1/2	9 1/4	13 1/4	4 1/8	6 3/8	6 5/8	1/2
14	23 1/2	10 1/4	14 1/2	4 1/2	7	7 1/4	1/2
16	25 1/2	11 1/4	16 1/2	4 1/2	8	8 1/4	1/2
18	27 1/2	12 1/4	18 1/2	4 1/2	9	9 1/4	1/2
20	29 1/2	13 1/4	20 1/2	4 1/2	10	10 1/4	1/2
24	33 1/2	15 1/4	24 1/2	4 1/2	12	12 1/4	1/2
30	39 1/2	18 1/4	30 1/2	4 1/2	15	15 1/4	1/2
36	45 1/2	21 1/4	36 1/2	4 1/2	18	18 1/4	1/2

SCOMPONENTS06.XLS-07/01/09