



FIG. 48

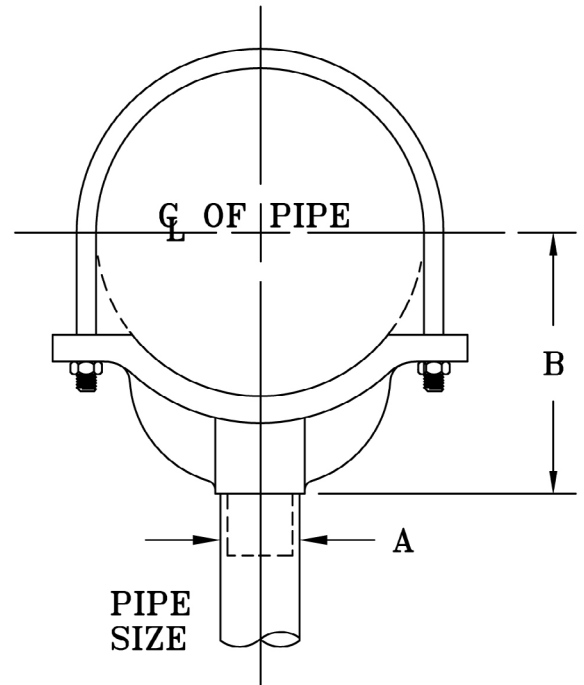
PIPE SADDLE SUPPORT WITH U-BOLT

www.pipingtech.com/fig48

MATERIAL: Carbon steel stanchion saddle with steel U-Bolt and nuts.

- INSTALLATION:**
1. Slip saddle base into riser pipe.
 2. If riser pipe and flange are used, flange is drilled for bolting to steel beam or floor.
 3. Yoke is attached to saddle after pipe is in place.

ORDERING: Specify figure number, pipe size, description, material and finish.



SUPPORT ASSEMBLY COMPONENTS

PIPE SIZE	APPROX. WEIGHT (lb. per 100)	A	B	MAX LOAD
4	1,075	3	4 3/16	3,800
5	1,210	3	4 13/16	3,800
6	1,270	3	5 7/16	3,800
8	2,130	3	6 15/16	3,800
10	2,570	3	8 7/16	3,800
12	3,120	3	9 15/16	3,800
14	5,000	4	10 15/16	5,300
16	5,700	4	12 3/8	5,300
18	6,400	4	13 7/8	6,700
20	11,350	6	15 3/8	6,700
24	13,700	6	17 15/16	7,300
30	14,650	6	19 1/8	7,300
32	17,400	8	21 5/16	7,300
36	26,800	8	24 1/2	7,300

SCOMPONENTS05.XLS-04/22/17