



FIG. 230

ROLLER STAND

www.pipingtech.com/fig230

MATERIAL: Cast iron roll and stand.

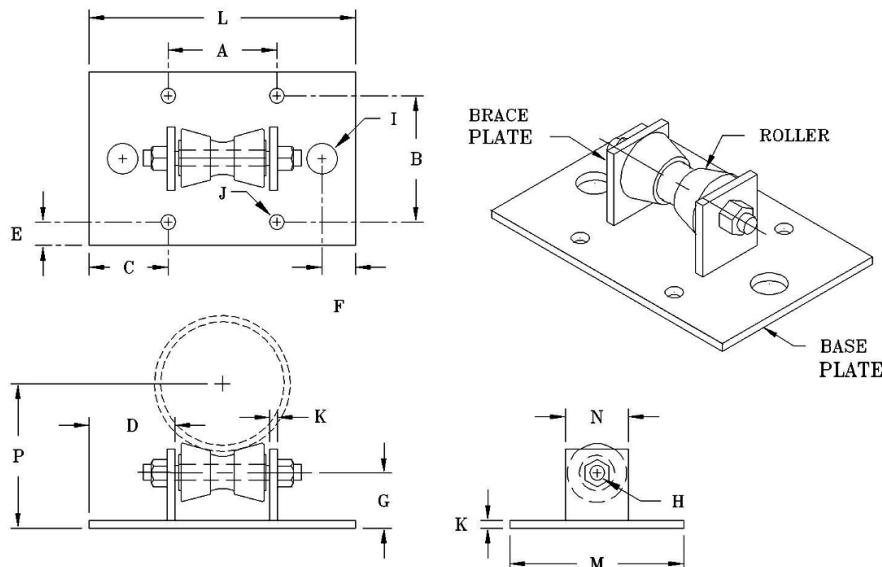
SERVICE: For support of piping that expands and contracts longitudinally and where vertical adjustment is not necessary.

HOW TO SIZE:

1. If roll is to support bare pipe, select size from nominal pipe size.
2. If used with pipe covering protection saddle, see FIG. 183 for size of pipe roll.

INSTALLATION: Two cored holes "I" for anchorage bolting purpose.

ORDERING: Specify figure number, pipe size, description and finish.



PIPE SIZE	2-3 1/2	4-6	8-10	12-14	16-20	24	30	36-42
MAX. RECOM. SIZE LOAD (lb.)	390	950	2,100	3,075	4,980	6,100	7,500	12,000
COMPLETE (APPROX. WEIGHT - lb. per 100)	640	885	1,530	2,810	3,965	4,950	9,925	15,200
ROLL AND ROD (APPROX. WEIGHT - lb. per 100)	90	135	530	1,010	1,565	1,950	3,390	5,700
ROLL ONLY (APPROX. WEIGHT - lb. per 100)	70	110	440	850	1,270	1,450	2,400	4,100

PIPE SIZE	A	B	C	D	E	F	G	H	I	J	K	L	M	N	P
2	3 7/16	4	2 1/2	2 11/16	3/4	1 1/16	1 3/4	9/16	1	1/2	1/4	8 7/16	5 1/2	2	3 1/2
2 1/2	3 7/16	4	2 1/2	2 11/16	3/4	1 1/16	1 3/4	9/16	1	1/2	1/4	8 7/16	5 1/2	2	3 6/7
3	3 7/16	4	2 1/2	2 11/16	3/4	1 1/16	1 3/4	9/16	1	1/2	1/4	8 7/16	5 1/2	2	4 1/8
3 1/2	3 7/16	4	2 1/2	2 11/16	3/4	1 1/16	1 3/4	9/16	1	1/2	1/4	8 7/16	5 1/2	2	4 3/8
4	4 11/16	4 1/4	2 5/8	3	7/8	1 1/16	2	9/16	1	1/2	1/4	9 15/16	6	3	4 3/4
5	4 11/16	4 1/4	2 5/8	3	7/8	1 1/16	2	9/16	1	1/2	1/4	9 15/16	6	3	5 3/8
6	4 11/16	4 1/4	2 5/8	3	7/8	1 1/16	2	9/16	1	1/2	1/4	9 15/16	6	3	6
8	7	5	3/4	1 1/8	1 1/2	2 1/4	3 3/8	3/4	1	5/8	3/8	8 1/2	8	3	8 5/8
10	7	5	3/4	1 1/8	1 1/2	2 1/4	3 3/8	3/4	1	5/8	3/8	8 1/2	8	3	9 3/4
12	9 1/16	6	1	1 7/16	1	2 1/2	3 3/4	7/8	1	3/4	3/8	11 1/16	8	3	11 1/4
14	9 1/16	6	1	1 7/16	1	2 1/2	3 3/4	7/8	1	3/4	3/8	11 1/16	8	3	11 6/7
16	10 1/4	6 1/2	1 3/8	1 7/8	1 1/4	2 3/16	4 1/4	1 1/4	1	13/16	1/2	13	9	4	13 5/8
18	10 1/4	6 1/2	1 3/8	1 7/8	1 1/4	2 3/16	4 1/4	1 1/4	1	13/16	1/2	13	9	4	14 5/8
20	10 1/4	6 1/2	1 3/8	1 7/8	1 1/4	2 3/16	4 1/4	1 1/4	1	13/16	1/2	13	9	4	15 5/8
24	11 3/8	6 1/2	1	1 9/16	1 1/4	3	4 3/8	1 1/2	1	13/16	1/2	13 3/8	9	4	17 3/4
30	14 1/4	8	1 3/8	2 3/8	1 1/2	3 1/2	5 1/8	1 7/8	1	1 1/16	1/2	17	11	5	21 6/7
36	17	9	1 1/2	2 7/16	1 1/2	4	5 3/4	2 1/8	1	1 5/16	3/4	20	12	6	25 3/4
42	17	9	1 1/2	2 7/16	1 1/2	4	5 3/4	2 1/8	1	1 5/16	3/4	20	12	6	28 6/7

SCOMPONENTS06.XLS-12/29/09