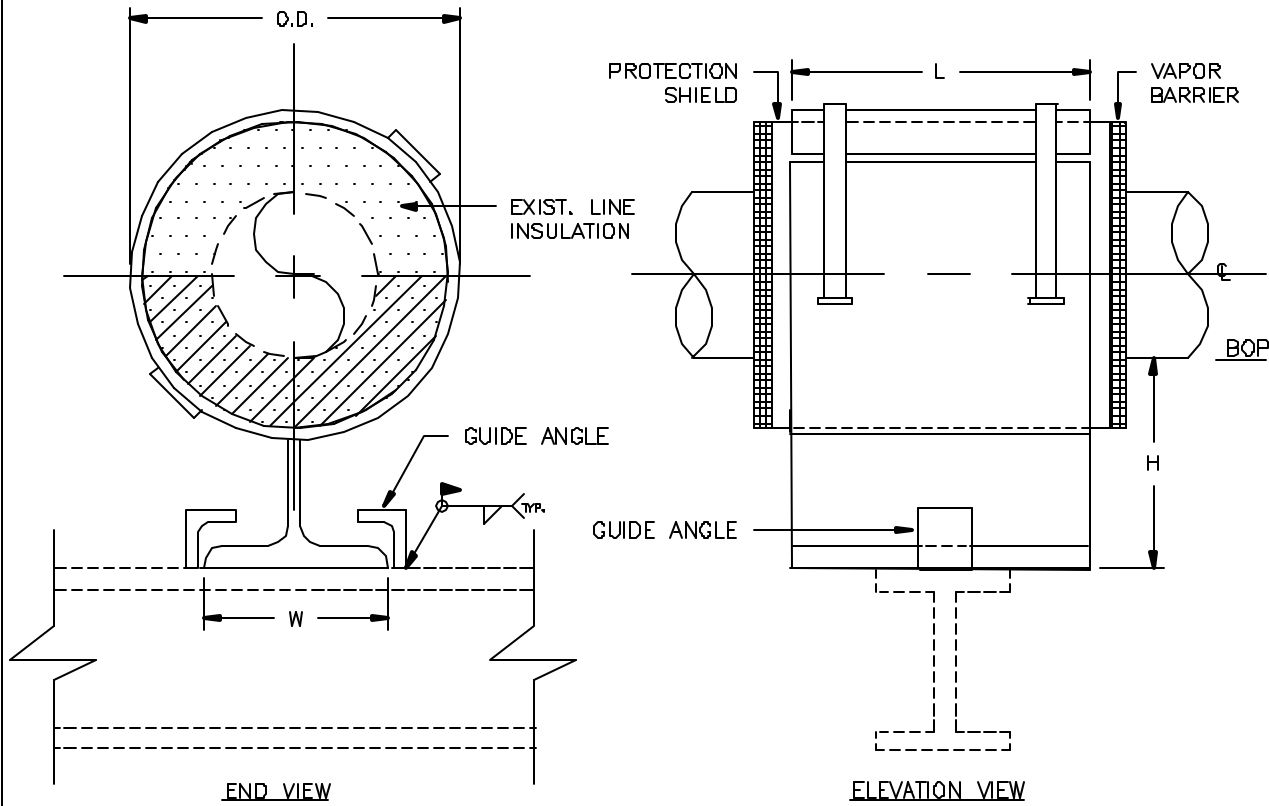


### SPECIFICATIONS

INSULATION THK. \_\_\_\_\_  
 SHOE LENGTH \_\_\_\_\_  
 LOADS: VERTICAL \_\_\_\_\_  
           LATERAL \_\_\_\_\_  
           AXIAL \_\_\_\_\_  
 TEMPERATURE: \_\_\_\_\_



Design: PT&P 6/1/1999 2:55 PM CS-401D

## NOTES

		FIGURE#: CS-4010 (CRYOSHOE™) DESCRIPTION: GUIDED SHOES, SPLIT-T BASE, 180° INS., WITH BANDSTRAPS
FUNCTION: USE TO SUPPORT VERTICAL LOADS WHILE PREVENTING LATERAL MOVEMENT. - - - -	CLIENT NAME: _____ PROJECT NAME: _____ REQUISITION#: _____ P.O.#: _____ DWG#: _____ MARK#: _____ PT&P JOB#: _____ ITEM#: _____ DATE: _____	
PIPE SIZE	1/2" TO 6" NPS	<div style="text-align: center;"> <b>PIPING TECHNOLOGY &amp;                      PRODUCTS, INC.</b> </div> <div style="display: flex; justify-content: space-between; font-size: small;"> <div style="width: 45%;">                         P.O. BOX 34506                          3701 HOLMES RD.                          TELE# (713)731-0030                          http://www.pipingtech.com/                     </div> <div style="width: 45%;">                         HOUSTON TEXAS 77234                          HOUSTON TEXAS 77051                          FAX#: (713)731-8640                          E-MAIL: info@pipingtech.com                     </div> </div> <div style="text-align: right; margin-top: 10px;"> </div>
MATERIAL	GALVANIZED OR HDG CARBON STEEL	
INSULATION	HIGH DENSITY POLYURETHANE WITH VAPOR BARRIER	
TEMP RANGE	AMBIENT TO -300°F	
LAYERING SY.:	SEE LAYERING CHARTS	
SHOE LTH.(L)	STANDARD SHOE AVAILABLE IN 12" & 18" LENGTHS	
TO ORDER:	SPECIFY PIPE SIZE, INSULATION THK., LENGTH HENCE: (CS-4010)-NPS-THK.-L	
LOADS	ALL LOADS ON ADJACENT CHART HAVE A SAFETY FACTOR OF 5	



Coldshoe in the process of being tested

Pipe size	L=12" Vertical Load(lbs)	L=18" Vertical Load(lbs)	Insulation Thickness								
			1"			1-1/2"			2"		
			W	O.D.	H	W	O.D.	H	W	O.D.	H
1/2"	162	232	3"	3-1/8"	4"	3"	4-1/4"	4"	3"	5-1/4"	4"
3/4"	203	290	3"	3-1/8"	4"	3"	4-1/4"	4"	3"	5-1/4"	4"
1"	254	363	3"	3-3/4"	4"	3"	4-3/4"	4"	3"	5-13/16"	4"
1-1/4"	321	459	3"	3-3/4"	4"	3"	5-1/4"	4"	3"	5-13/16"	4"
1-1/2"	368	525	3"	4-1/4"	4"	3"	5-1/4"	4"	3"	6-7/8"	4"
2"	459	656	4"	5"	4"	4"	6-1/16"	4"	4"	7-1/4"	4"
2-1/2"	556	794	4"	5-1/2"	4"	4"	7-1/8"	4"	4"	8-1/8"	4"
3"	677	967	4"	6-1/16"	4"	4"	7-1/8"	4"	4"	8-1/8"	4"
3-1/2"	774	1105	4"	7-1/8"	4"	4"	8-1/8"	4"	4"	9-1/8"	4"
4"	870	1243	4"	7-1/8"	4"	4"	8-1/8"	4"	4"	9-1/8"	4"
5"	1076	1537	4"	8-1/8"	4"	4"	9-1/8"	4"	4"	10-1/8"	4"
6"	1281	1831	6"	9-15/16"	4"	6"	10-3/8"	4"	6"	11-1/2"	4"

Pipe size	L=12" Vertical Load(lbs)	L=18" Vertical Load(lbs)	Insulation Thickness											
			2-1/2"			3"			3-1/2"			4"		
			W	O.D.	H	W	O.D.	H	W	O.D.	H	W	O.D.	H
1/2"	162	232	3"	6-7/8"	4"	3"	7-7/8"	6"	3"	8-7/8"	6"	3"	9-7/8"	6"
3/4"	203	290	3"	6-7/8"	4"	3"	7-7/8"	6"	3"	8-7/8"	6"	3"	9-7/8"	6"
1"	254	363	3"	6-7/8"	4"	3"	7-7/8"	6"	3"	8-7/8"	6"	3"	9-7/8"	6"
1-1/4"	321	459	3"	6-7/8"	4"	3"	7-7/8"	6"	3"	8-7/8"	6"	3"	9-7/8"	6"
1-1/2"	368	525	3"	7-7/8"	4"	3"	8-7/8"	6"	3"	9-7/8"	6"	3"	11"	6"
2"	459	656	4"	8-1/8"	4"	4"	9-1/8"	6"	4"	10-1/8"	6"	4"	11-1/4"	6"
2-1/2"	556	794	4"	9-1/8"	4"	4"	10-1/8"	6"	4"	11-1/4"	6"	4"	12-1/4"	6"
3"	677	967	4"	9-1/8"	4"	4"	10-1/8"	6"	4"	11-1/4"	6"	4"	12-1/4"	6"
3-1/2"	774	1105	4"	10-1/8"	4"	4"	11-1/4"	6"	4"	12-1/4"	6"	4"	13-1/4"	6"
4"	870	1243	4"	10-1/8"	4"	4"	11-1/4"	6"	4"	12-1/4"	6"	4"	13-1/4"	6"
5"	1076	1537	4"	11-1/4"	4"	4"	12-1/4"	6"	4"	13-1/4"	6"	4"	14-1/2"	6"
6"	1281	1831	6"	12-1/2"	4"	6"	13-1/2"	6"	6"	14-3/4"	6"	6"	15-3/4"	6"