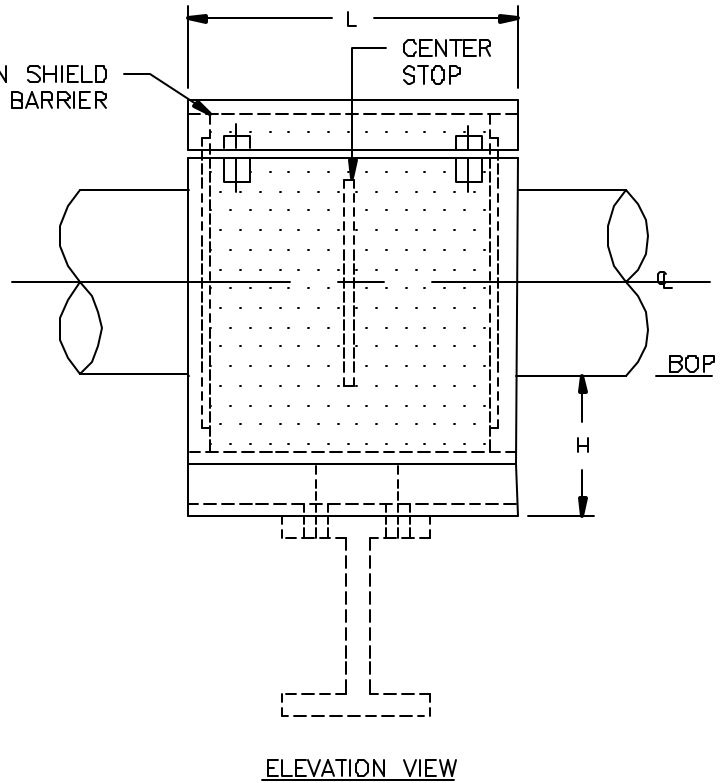
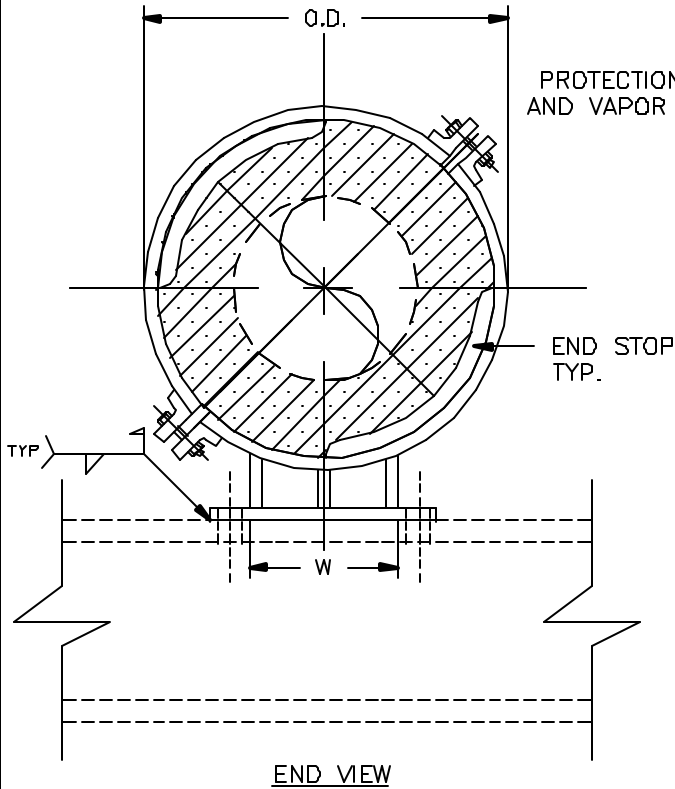


SPECIFICATIONS

INSULATION THK: _____
 SHOE LENGTH: _____
 LOADS: VERTICAL _____
 LATERAL _____
 AXIAL _____
 TEMPERATURE: _____



Design, PT&P 5/28/1999 4:30 PM CS-2032

NOTES

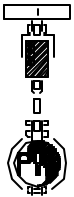
FIGURE#: CS-2032 (CRYOSHOE™)
 DESCRIPTION: ANCHOR TYPE SHOE, DOUBLE-T-BASE, BOLTED

CLIENT NAME: _____
 PROJECT NAME: _____
 REQUISITION#: _____
 P.O.#: _____
 DWG#: _____
 MARK#: _____
 PT&P JOB#: _____ ITEM#: _____
 DATE: _____

FUNCTION:	USE TO SUPPORT VERTICAL LOADS WHILE LIMITING AXIAL & LATERAL MOVEMENTS BY BOLTING SHOE IN PLACE. MOVEMENT OF PIPE INSIDE THE COLD SHOE LIMITED BY CENTER STOP AND END STOPS.
PIPE SIZE:	24" TO 42" NPS.
MATERIAL:	GALVANIZED OR HDG CARBON STEEL
INSULATION:	HIGH DENSITY POLYURETHANE WITH VAPOR BARRIER
TEMP RANGE:	AMBIENT TO -300°F
LAYERING SY.:	SEE LAYERING CHARTS
SHOE LTH.(L):	STANDARD SHOE AVAILABLE IN 12" & 18" LENGTHS
TO ORDER:	SPECIFY PIPE SIZE, INSULATION THK., LENGTH HENCE: (CS-2032)-NPS-THK.-L
LOADS:	ALL LOADS ON ADJACENT CHART HAVE A SAFETY FACTOR OF 5

PIPING TECHNOLOGY & PRODUCTS, INC.

P.O. BOX 34506 HOUSTON TEXAS 77234
 3701 HOLMES RD. HOUSTON TEXAS 77051
 TELE#:(713)731-0030 FAX#:(713)731-8640
<http://www.pipingtech.com/> E-MAIL: info@pipingtech.com





Shipping Area filled with Coldshoes ready for inspection and shipping

Pipe size	Vertical Load(lbs)	Vertical Load(lbs)	Insulation Thickness															
			1"				1-1/2"				2"				2-1/2"			
			W	Axial load (lbs.)	O.D.	H	W	Axial load (lbs.)	O.D.	H	W	Axial load (lbs.)	O.D.	H	W	Axial load (lbs.)	O.D.	H
24"	11605	16579	14-1/2"	22111	27"	4"	15"	23844	28"	4"	15-1/2"	25643	29"	6"	16"	27508	30"	6"
26"	12573	17961	16-1/4"	25643	29-1/2"	4"	16-3/4"	27508	30-1/2"	6"	17-1/4"	29438	31-1/2"	6"	17-3/4"	31433	32-1/2"	6"
28"	13540	19342	17-1/4"	29438	31-1/2"	4"	17-3/4"	31433	32-1/2"	6"	18-1/4"	33493	33-1/2"	6"	18-3/4"	35619	34-1/2"	6"
30"	14507	20724	18-1/4"	33493	33-1/2"	4"	18-3/4"	35619	34-1/2"	6"	19-1/4"	37811	35-1/2"	6"	19-3/4"	40068	36-1/2"	6"
32"	15474	22106	19-1/4"	37811	35-1/2"	4"	19-3/4"	40068	36-1/2"	6"	20-1/4"	42390	37-1/2"	6"	20-3/4"	44778	38-1/2"	6"
34"	16441	23487	20-1/4"	42390	37-1/2"	4"	20-3/4"	44778	38-1/2"	6"	21-1/4"	47231	39-1/2"	6"	21-3/4"	49749	40-1/2"	6"
36"	17408	24869	21-1/4"	47231	39-1/2"	4"	21-3/4"	49749	40-1/2"	6"	22-1/4"	52333	41-1/2"	6"	22-3/4"	54983	42-1/2"	6"
40"	19342	27632	23-1/4"	57698	43-1/2"	4"	23-3/4"	60478	44-1/2"	6"	24-1/4"	63323	45-1/2"	6"	24-3/4"	66234	46-1/2"	6"
42"	20310	29014	24-1/4"	63323	45-1/2"	4"	24-3/4"	66234	46-1/2"	6"	25-1/4"	69211	47-1/2"	6"	25-3/4"	72253	48-1/2"	6"

Pipe size	Vertical Load(lbs)	Vertical Load(lbs)	Insulation Thickness											
			3"				3-1/2"				4"			
			W	Axial load (lbs.)	O.D.	H	W	Axial load (lbs.)	O.D.	H	W	Axial load (lbs.)	O.D.	H
24"	11605	16579	16-1/2"	29438	31"	6"	17"	31433	32"	6"	17-1/2"	33493	33"	8"
26"	12573	17961	18-1/4"	33493	33-1/2"	6"	18-3/4"	35619	34-1/2"	6"	19-1/4"	37811	35-1/2"	8"
28"	13540	19342	19-1/4"	37811	35-1/2"	6"	19-3/4"	40068	36-1/2"	6"	20-1/4"	42390	37-1/2"	8"
30"	14507	20724	20-1/4"	42390	37-1/2"	6"	20-3/4"	44778	38-1/2"	6"	21-1/4"	47231	39-1/2"	8"
32"	15474	22106	21-1/4"	47231	39-1/2"	6"	21-3/4"	49749	40-1/2"	6"	22-1/4"	52333	41-1/2"	8"
34"	16441	23487	22-1/4"	52333	41-1/2"	6"	22-3/4"	54983	42-1/2"	6"	23-1/4"	57698	43-1/2"	8"
36"	17408	24869	23-1/4"	57698	43-1/2"	6"	23-3/4"	60478	44-1/2"	6"	24-1/4"	63323	45-1/2"	8"
40"	19342	27632	25-1/4"	69211	47-1/2"	6"	25-3/4"	72253	48-1/2"	6"	26-1/4"	75360	49-1/2"	8"
42"	20310	29014	26-1/4"	75360	49-1/2"	6"	26-3/4"	78533	50-1/2"	6"	27-1/4"	81771	51-1/2"	8"